

388-376RH SUMMIT® PRO



Round Front, SmartHeight™, Vitreous China, Two-Piece Toilet

FEATURES

- High performance MagnaFlush™ flushing technology
- 1.6 gpf / 6.0 lpf low water consumption
- Round front, SmartHeight™ bowl
- SmartFasten™ 3-bolt tank-to-bowl connection
- PuraClean® easy-to-clean glaze
- 3" Rigid Flapper flush valve – requires less force to flush, is more consistent and uses a simple universal repair part/seal
- Fluidmaster® pilot operated anti-siphon fill valve
- 12" rough-in
- Model 59RH color match, metal trip lever
- 2" glazed trapway
- The Mansfield® limited lifetime warranty on china, Five-year limited warranty on tank trim
- Available in White



MODEL 388-376RH

Toilet seat not included





ROUND



SMARTHEIGHT ADA

COMPONENTS

MODEL #	DESCRIPTION	CODES/STANDARDS
388-376RH	Round front, SmartHeight™, two-piece toilet. Less toilet seat and supply.	 
388	Round front, SmartHeight™ toilet bowl only. Less supply.	
376RH	Tank and cover only, with right hand, front-mount, color match, metal trip lever. Less supply.	
TANK TRIM & REPLACEMENT PARTS		
59RH	Trip lever - color match, metal trip lever, right hand	
2037-1212	Summit® 1.6 rigid flapper flush valve	
400A	Fluidmaster® anti-siphon pilot fill valve	
2206	Anti-siphon pilot fill valve (compatible replacement)	
630-0030	Replacement flush valve seal	
386-LID	Tank lid	

When properly installed, this product meets the requirements for the Americans with Disabilities Act of 1990 (ADA). Refer to local plumbing codes, as they may vary by location and application.





388-376RH SUMMIT[®] PRO



Round Front, SmartHeight™, Vitreous China, Two-Piece Toilet

SPECIFICATIONS

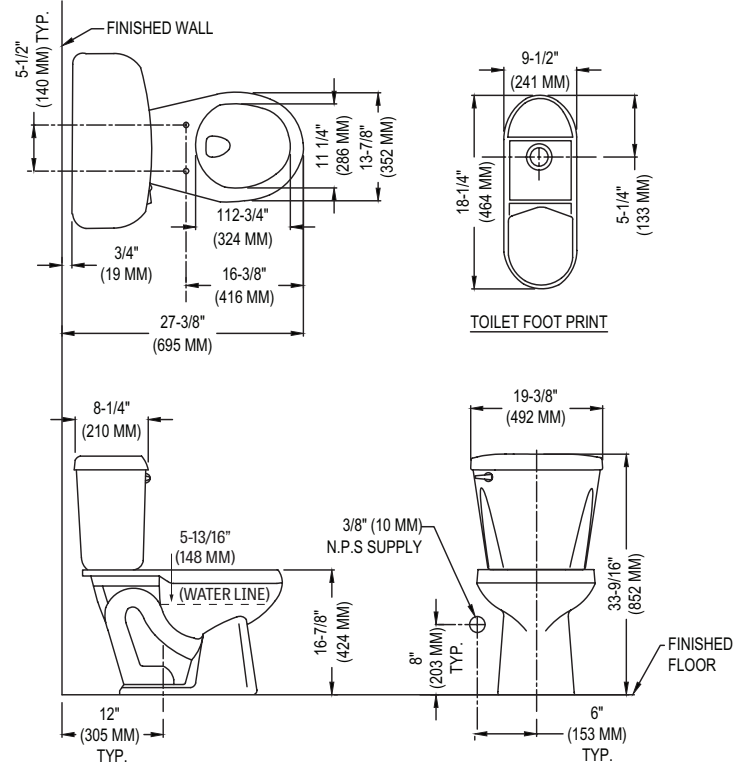
MODEL #	DESCRIPTION	CODES/STANDARDS
388-376RH	Round front, SmartHeight™ (1.6 gpf/6.0 lpf) two-piece toilet	 

MATERIAL	Vitreous China	TRAP DIAMETER	2'
WATER PRESSURE RANGE	20 to 80 PSI	TRAP SEAL	2-1/4'
FLUSH SYSTEM	MagnaFlush™ flushing technology	SHIPPING WEIGHT	Model 388 - 52 lbs. (23.5 kg) Model 376RH - 36 lbs. (16.3 kg)
WATER USAGE	1.6 gpf / 6.0 lpf	WARRANTY	Vitreous China - Limited Lifetime Tank Trim - Limited Five Year
WATER SURFACE AREA	8' X 9'		
ROUGH-IN	12'		
MAP RATING	1,000 grams		

TANK OPTIONS	TECHNICAL INFORMATION
376	Variation of model 376RH, with left hand trip lever.

TECHNICAL INFORMATION

Note: these dimensions are nominal and subject to change without notice.



Fixture performance and specifications meet or exceed ASME A112.19.2-2013/CSA B45.1-13 standards, and other state and local codes.

